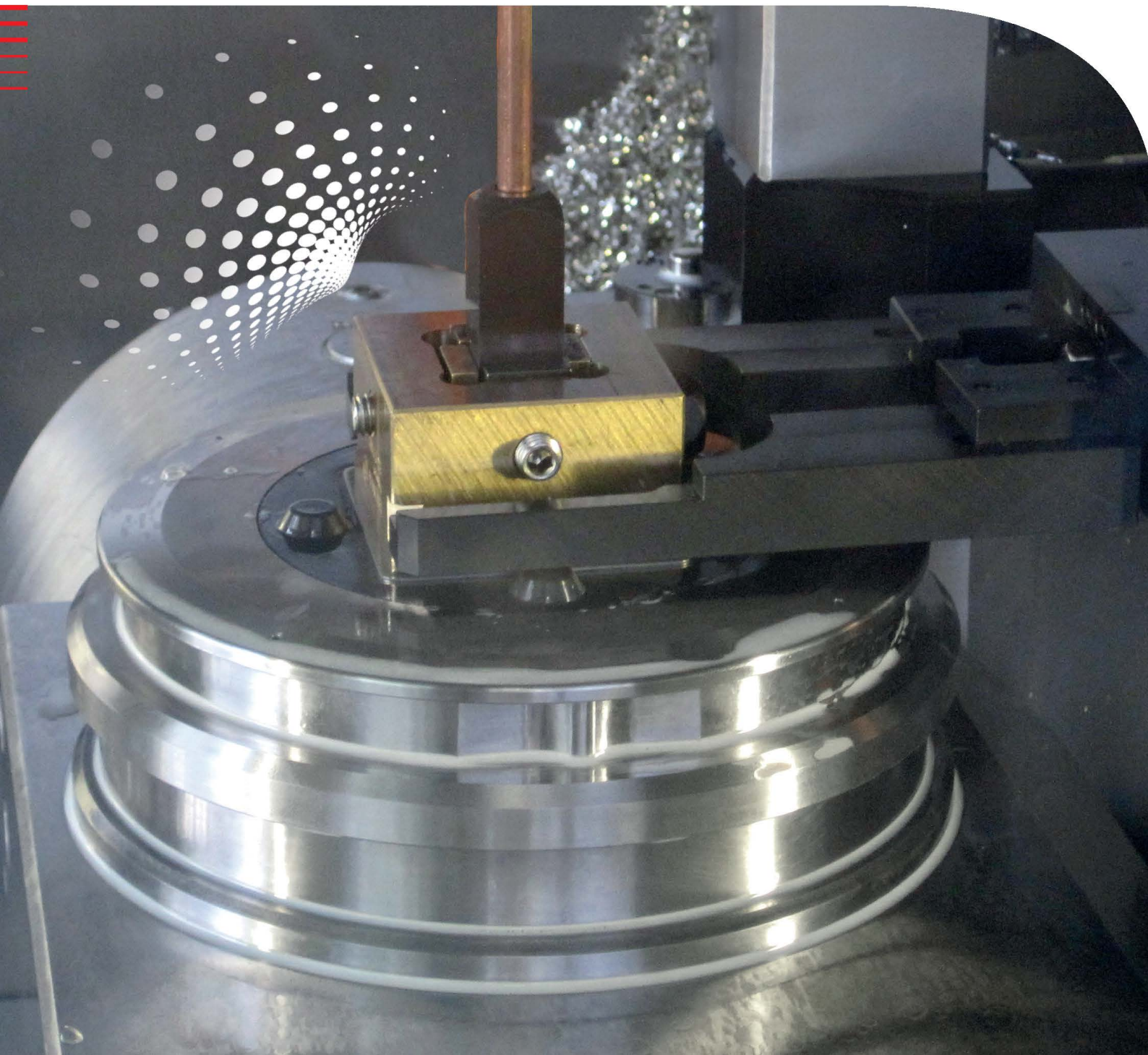




# EROWA ITS Holder C

ITS 50 Holder, sealed,  
for safe automatic operation

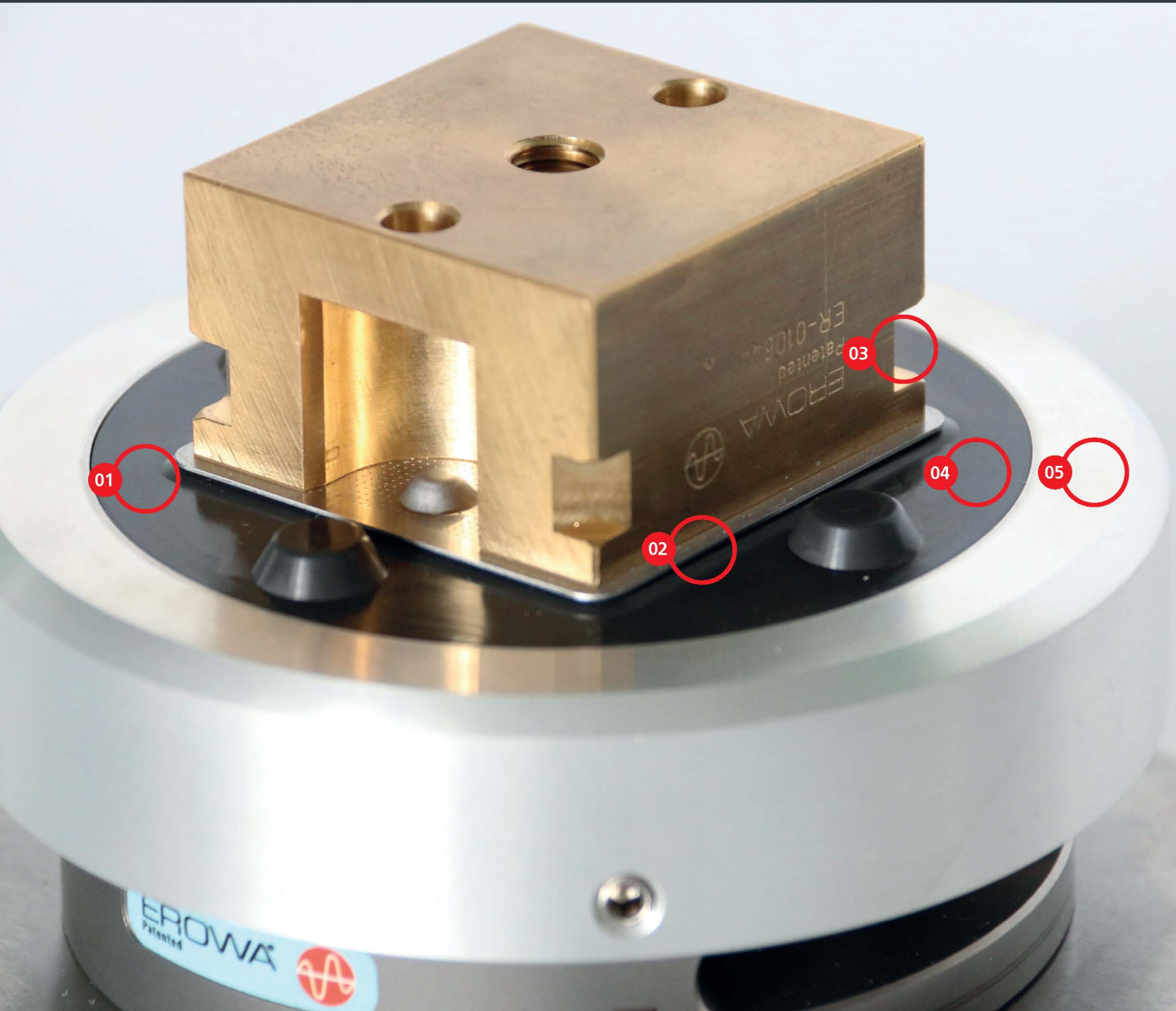


# Ingeniously simple

A simple sealing plate under the 50 Holders fulfils an old wish: ITS chucks are completely sealed.

EROWA ITS Holder C has a simple gripper slot on the periphery. The corresponding gripper fits all established EROWA Robots.

Existing ITS 50 holders can be retrofitted and put to continued use.



## Purchasing or retrofitting?



Place the sealing ring over the chuck on the machine table. There are seals for all EROWA chucks.



Purchase EROWA ITS Holder C or retrofit the ITS 50 Holder.

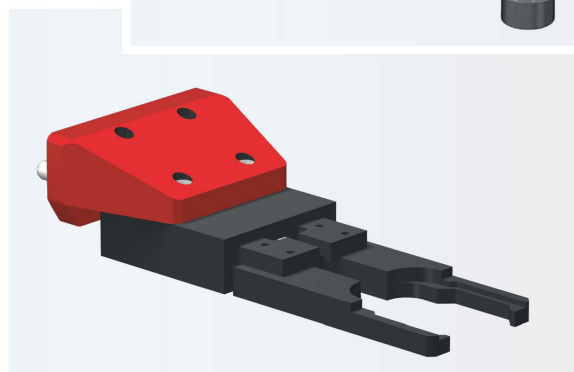
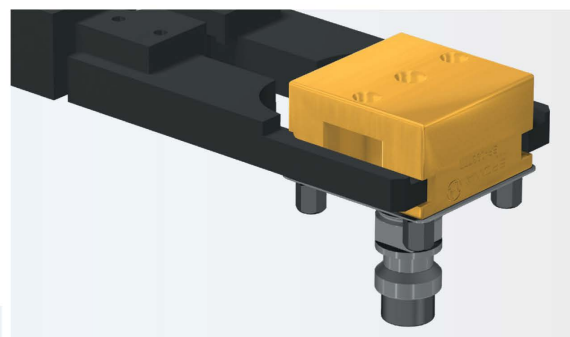
**01 | Flexible sealing lip**  
Seals under initial tension.

**02 | Sealing plate**  
Ingeniously simple supplementary plate.

**03 | Gripper slot**  
For the new ITS 50 C Gripper.

**04 | Plastic insert**  
Oil-resistant plastic.

**05 | ITS 100 sealing ring**  
Fixing device for EROWA chucks.



Insert Gripper ITS 50 C on the Robot.



Start manufacturing.

### FACTS

- More functions - same price
- Patented
- High degree of process reliability
- Simple retrofit
- Complete range

# EROWA ITS

## Holder C components

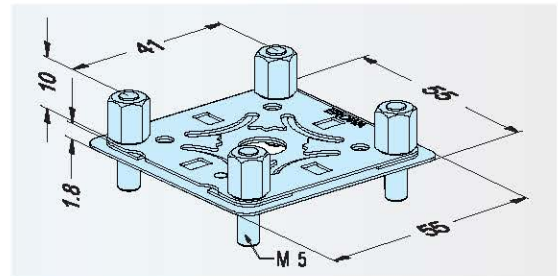
There is an alternative to all previous EROWA ITS 50 products: the fully sealed EROWA ITS C version. All the accessories are listed in the following pages.

It is quite easy to convert the components by yourself; the retrofit from holder ITS 50 to EROWA ITS C is described on the last pages of this flyer.

ER-094180	Centering plate 50 C 50 pieces
ER-094181	Centering plate 50C 5 pieces



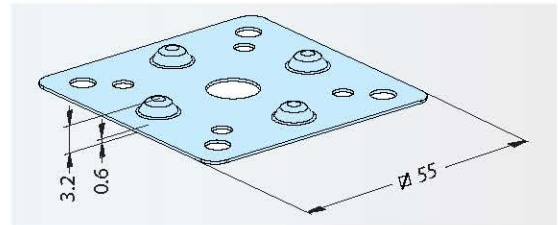
Version	Corrosion-resistant, including sealing plate and 4 supporting feet each.
Application	Small electrode weights.
Mounting	Mounted directly on plane surface of blank.



ER-095124	Sealing plate 50 C 50 pieces
ER-095125	Sealing plate 50 C 5 pieces



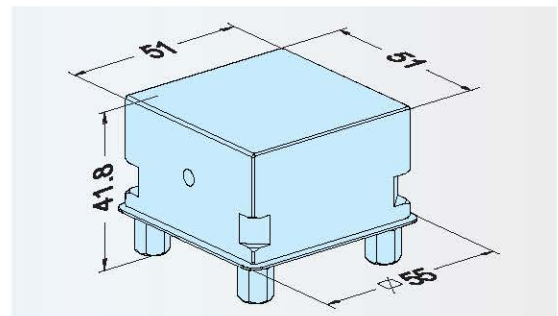
Version	Sealing plate, stainless.
Application	For retrofitting existing ITS 50 holders



ER-093758	Uniblack C EWIS™ 12 pieces
-----------	-------------------------------



Version	Set of 12 units, fitted without machining of body. With gripper slot and sealing plate.
Application	To mount electrodes and workpieces of various shapes.
Mounting	As required.
Note	Order EWIS™ chip, ER-094168 separately.



**ER-093765 Priround C EWIS™**  
12 pieces

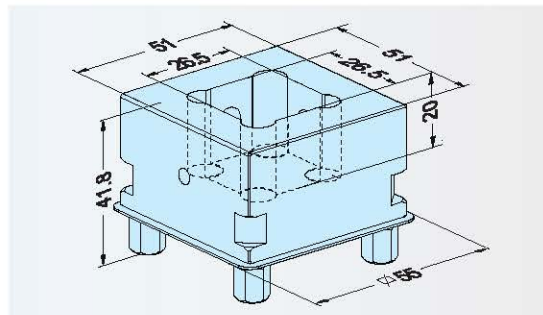


**Version** Set of 12 units, with gripper slot and sealing plate. Prepared for receiving the code carrier.

**Application** To mount blank parts with shaft size up to 25 mm

**Mounting** Fit into recess and tighten bolts. If necessary center part with insert plates ER-010523.

**Note** Order EWIS™, ER-094168 separately!



**ER-093774 Uniholder C EWIS™**  
12 pieces

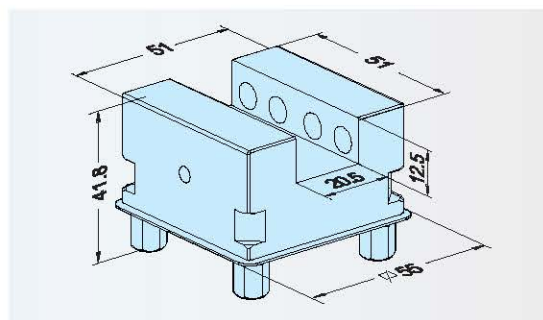


**Version** Set of 12 units, including 2 setscrews for each unit. With gripper slot and sealing plate.

**Application** To mount electrodes and workpieces with a base surface of up to 20 mm.

**Mounting** Insert and tighten setscrews. If necessary, center with spacer plate ER-010532.

**Note** Order EWIS™ chip, ER-094168 separately!



**ER-093780 Uniplate C EWIS™**  
12 pieces

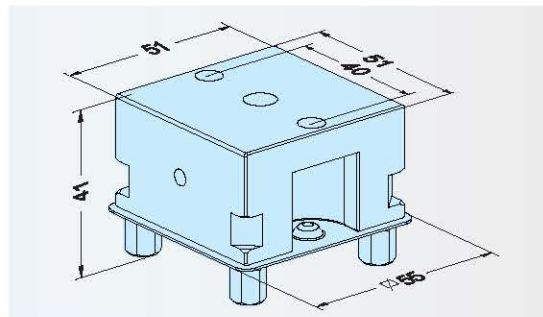


**Version** Set of 12 units, surface 51 x 51 mm faced, including 2 x M6 bolts for each unit. With gripper slot and sealing plate.

**Application** To mount electrodes and workpieces with a base surface of more than 50 mm.

**To fit blank** With 2 x M6 bolts into the base surface.

**Note** Order EWIS™ chip, ER-094168 separately.

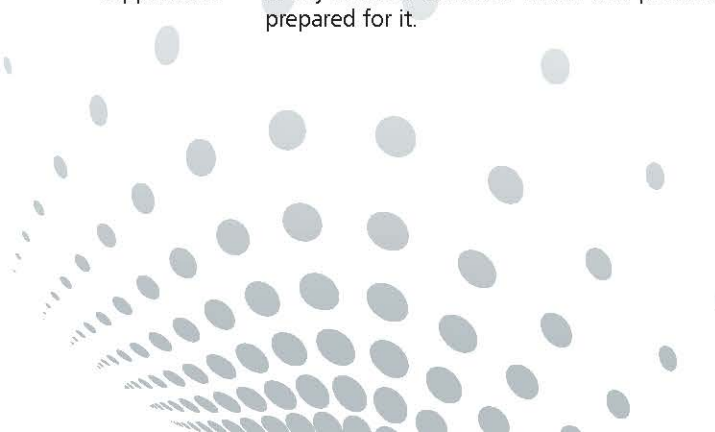
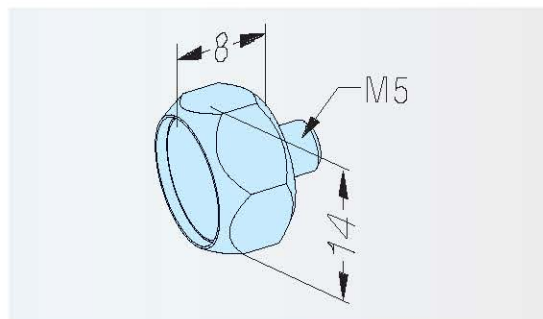


**ER-094168 EWIS™ rapid chip with chip holder SW14 for holder C**



**Version** Sleeve fitting with built-in data carrier.

**Application** In any EROWA electrode holder and pallet which has been prepared for it.

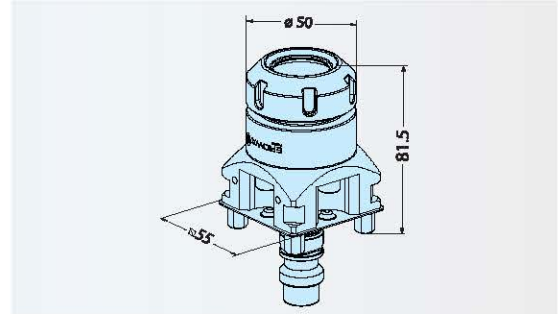


# EROWA ITS Holder C components

## ER-093999 Collet chuck holder 50 C



Version System size 50,  
incl. wrench.  
Application For round material up to  $\varnothing 20$  mm.

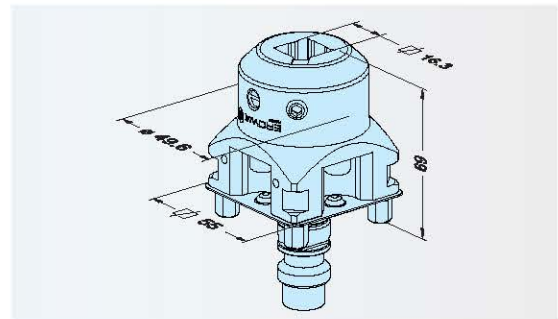


## ER-093996 Square 15 holder C 1 pieces

## ER-093997 Square 15 holder C 12 pieces



Version ITS system size 50.  
Application EDM/WEDM.

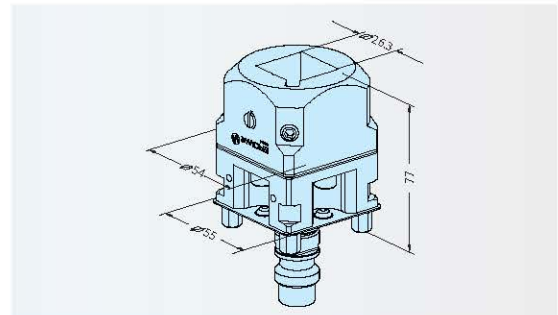


## ER-093992 Square 25 holder C 1 pieces

## ER-093993 Square 25 holder C 12 pieces



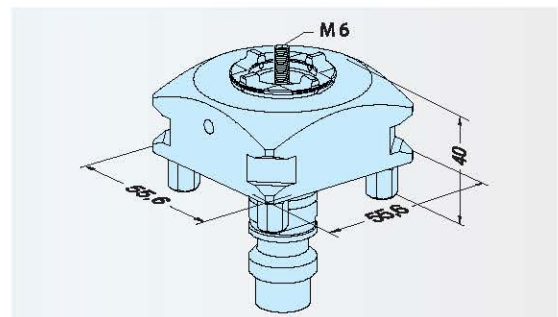
Version ITS system size 50.  
Application EDM/WEDM.



## ER-094046 Compact ITS 50 adapter C



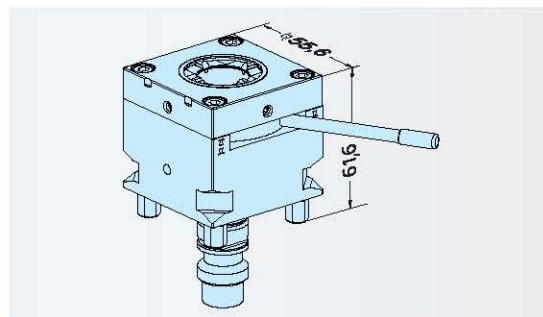
Version ITS system size 50, lock with central locking bolt. Prepared to accommodate chip holder for EWIS chip.  
Operation Tighten central locking bolt.  
Application System adapter Compact - ITS.



**ER-094063 Compact ITS adapter chuck C**



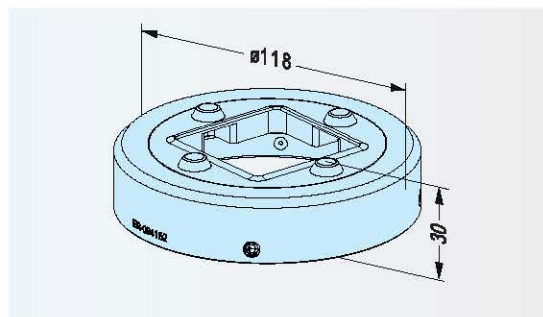
Version ITS system size 50 C, QuickChuck action for Compact holders.  
 Operation Quick locking mechanism with lever.  
 Application Individual Compact chuck for machines which are equipped with standard ITS. System adapter Compact - ITS.



**ER-094152 Sealing ring ITS50 C for ITS 100 P manual**



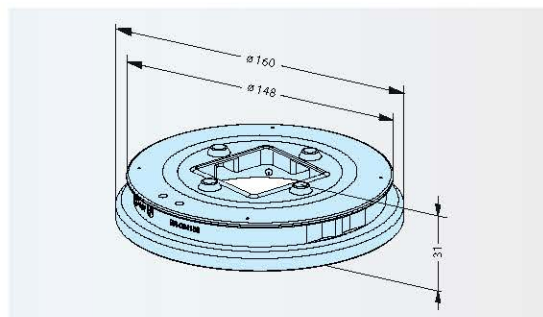
Version Aluminium anodized.  
 Application Prevents penetration of chips and dirt into the QuickChuck 100 P or ITS chuck 100 P by application of EROWA electrode holders C.



**ER-094158 Sealing ring ITS 50 C for ITS 100 P automatic**



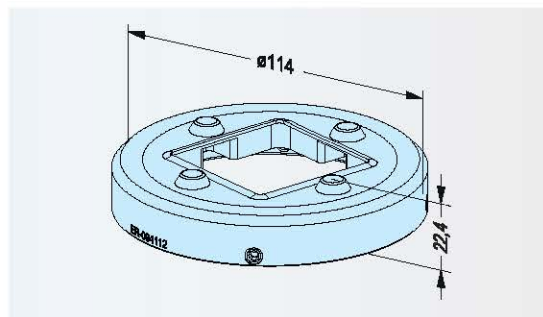
Version Stainless steel.  
 Application Prevents penetration of chips and dirt into the ITS chuck 100 P by application of EROWA electrode holders C.



**ER-094112 Sealing ring ITS50 C for SSF manual**



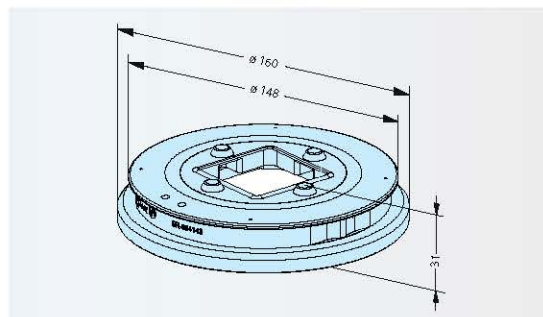
Version Aluminium anodized.  
 Application Prevents penetration of chips and dirt into the rapid action chuck during machining of EROWA electrode holders C.



**ER-094143 Sealing ring ITS 50 C for SSF automatic**



Version Stainless steel.  
 Application Prevents penetration of chips and dirt into the rapid action chuck by application of EROWA electrode holders C.

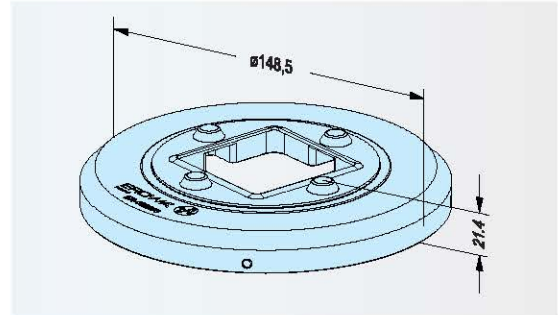


# EROWA ITS Holder C components

## ER-092203 Sealing ring ITS 50 C for PowerChuck P manual



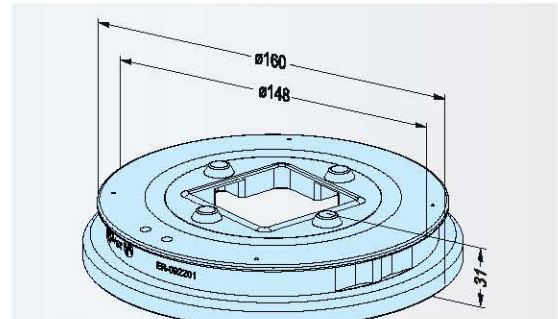
Version Aluminium anodized.  
Application Prevents penetration of chips and dirt into the PowerChuck P by application of EROWA electrode holders C.



## ER-092201 Sealing ring ITS 50 C for PowerChuck P automatic



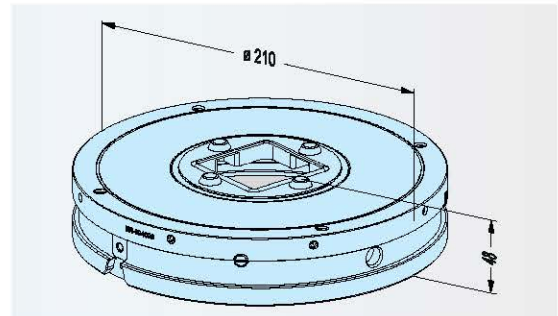
Version Rust-resistant steel  
Application Prevents penetration of chips and dirt into the PowerChuck P during machining with EROWA electrode holders C.



## ER-094093 Sealing ring ITS 50 C for PC 210



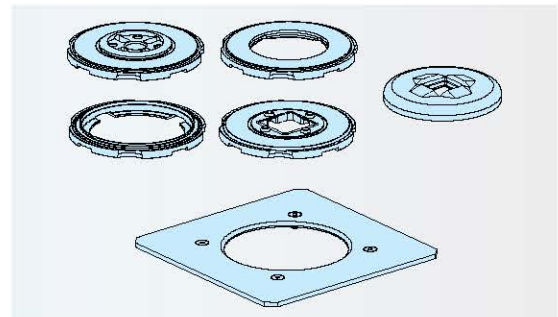
Version Aluminium anodized.  
Application Prevents penetration of chips and dirt into the ProductionChuck 210 Combi by application of EROWA electrode holders C. For automatic handling with gripper RN PC 210 (option).



## ER-094178 Cover set for UPC / ITS 50 C



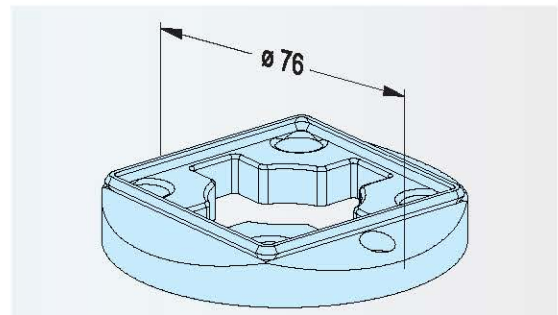
Version Aluminum with inserts, to protect UPC chuck when used with holder  $\varnothing 72$ , pallet  $\varnothing 115$ , pallet  $\varnothing 148$ , electrode holders ITS 50 C.



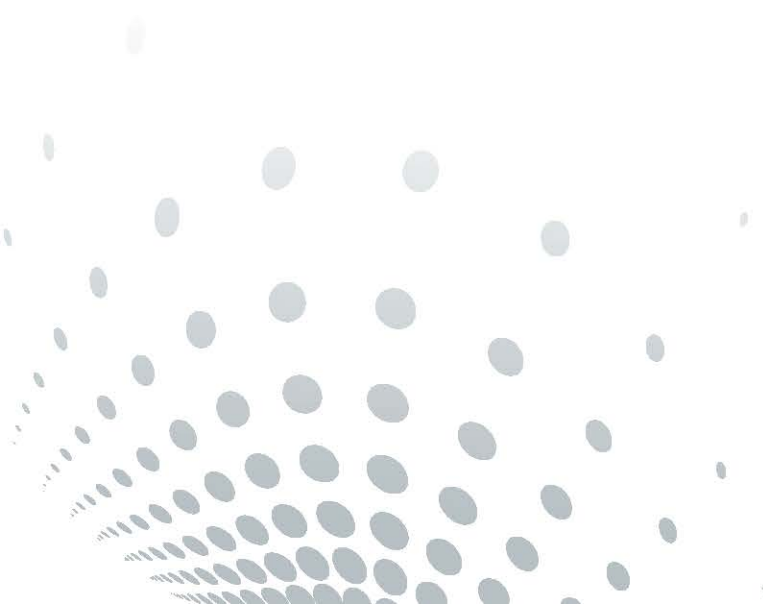
## ER-094955 Sealing ring ITS 50 C for chuck 50



Version Plastic.  
Application Prevents penetration of chips and dirt into the ITS Chuck 50 with application of EROWA HoldersITS50 C.



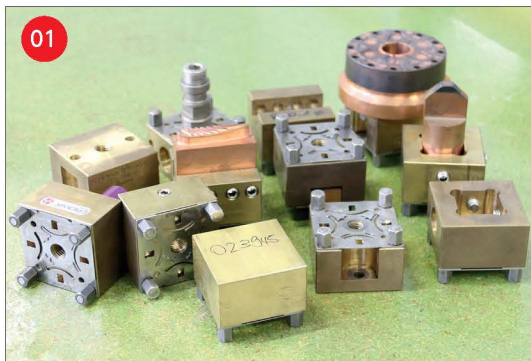




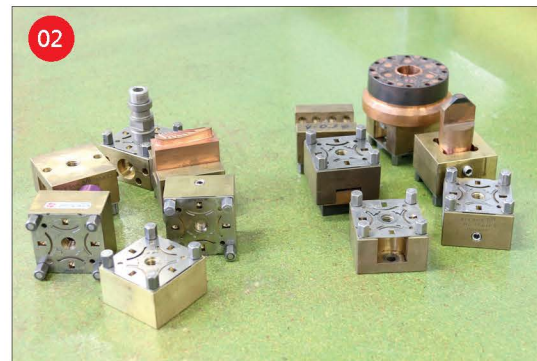
# Upgrade

Sustainability does pay off in economic terms.

Existing ITS 50 Holders can very easily be retrofitted into the „sealed“ EROWA ITS holder C version. A few details have to be observed in this respect.



Check the general condition of the electrode holders for damage to the body (thread, contact surfaces for blanks), the supporting feet and the centering plates (worn-out punch holes).



Divide the holders to be retrofitted into two groups:

- a) to be fitted with the sealing plate only
- b) entire centering plate to be replaced



Purchase a sufficient number of ER-095124 sealing plates for category a).



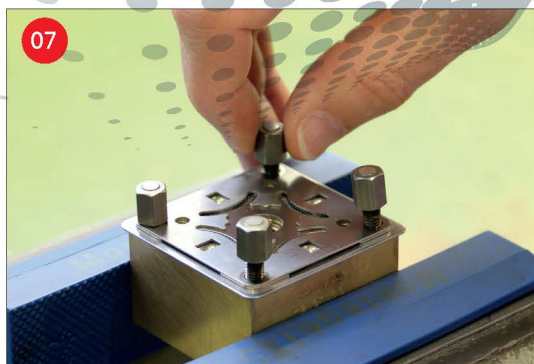
Order number of ER-094180 centering plate sets for category b).



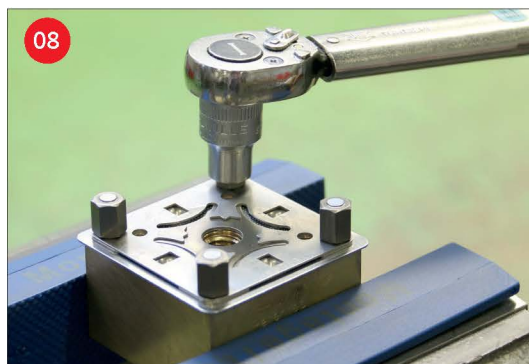
Detach the centering plates from the holders by removing the supporting feet (SW8). Clean the parts that will be put to continued use.



Countersink the  $\varnothing 8.5$  mm boreholes to  $\varnothing 9$  mm x  $90^\circ$ .



Fit the sealing plate (with new or existing centering plates and supporting feet) to the existing holder.



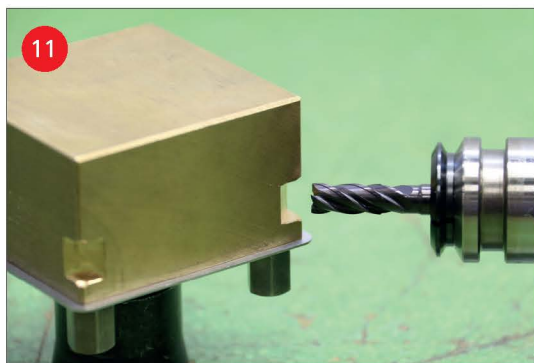
CAUTION: it is imperative that the supporting feet be tightened with a torque wrench (e.g. ER-011600). Torque: 8 Nm.



Make sure that the supporting feet are level.



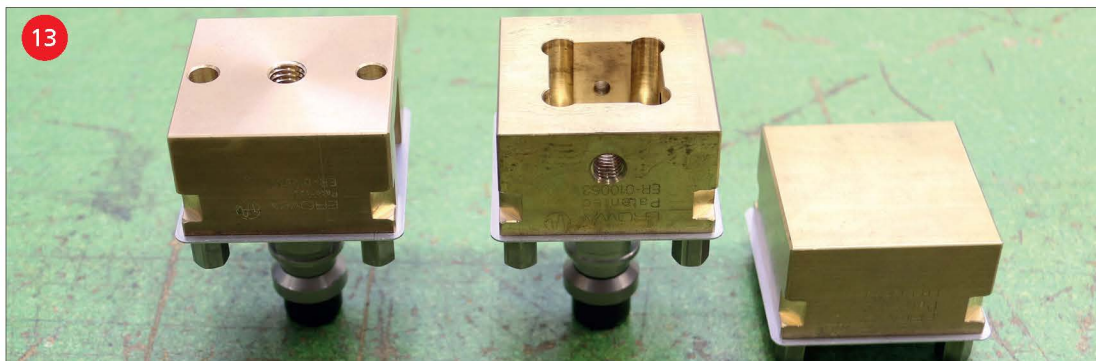
If you use the EROWA ITS holder C manually on milling machines, you have already done everything that is required.



If the retrofitted ITS 50 Holders C are loaded by means of a Robot, then the gripper slot has to be milled.



If EWIS™ Chips are used for automatic holder identification, then the thread must be fitted to the reference side (chip ER-094168).



Retrofitted EROWA ITS 50 Standard Holders to EROWA ITS holder C.

## The next step

Important things need to be planned. And your next step is certainly among the important things. It is your start into a new, efficient era. We are pleased to be with you on the way. As consultants, in practice. For you to know at all times what you're engaging in. The next EROWA branch office is not far – **take the step.**



### USA

EROWA Technology, Inc.  
North American Headquarters  
2535 South Clearbrook Drive  
Arlington Heights, IL 60005  
USA  
Tel. 847 290 0295  
Fax 847 290 0298  
e-mail: [info@erowa.com](mailto:info@erowa.com)  
[www.erowa.com](http://www.erowa.com)

### Italy

EROWA Tecnologie S.r.l.  
**Sede Legale e Amministrativa:**  
Via Alfieri Maserati 48  
IT-10095 Grugliasco (TO)  
Italy  
Tel. 011 9664873  
Fax 011 9664875  
[info@erowa.it](mailto:info@erowa.it)  
[www.erowa.com](http://www.erowa.com)

Unità di Treviso:  
Via Leonardo Da Vinci 8  
IT-31020 Villorba (TV)  
Italy  
Tel. 0422 1627132

### Singapore

EROWA South East Asia Pte. Ltd.  
56 Kallang Pudding Road  
#06-02, HH@Kallang  
Singapore 349328  
Singapore  
Tel. 65 6547 4339  
Fax 65 6547 4249  
[sales.singapore@erowa.com](mailto:sales.singapore@erowa.com)  
[www.erowa.com](http://www.erowa.com)

### Japan

EROWA Nippon Ltd.  
Sibadaimon Sasano Bldg.  
2-6-4, Sibadaimon, Minato-ku  
105-0012 Tokyo  
Japan  
Tel. 03 3437 0331  
Fax 03 3437 0353  
[info@erowa.co.jp](mailto:info@erowa.co.jp)  
[www.erowa.com](http://www.erowa.com)

### Switzerland

EROWA AG  
Knutwilerstrasse 3  
CH-6233 Büren  
Switzerland  
Tel. 041 935 11 11  
Fax 041 935 12 13  
[info@erowa.com](mailto:info@erowa.com)  
[www.erowa.com](http://www.erowa.com)

### France

EROWA Distribution France Sàrl  
PAE Les Glaisins  
12, rue du Bulloz  
FR-74940 Annecy-le-Vieux  
France  
Tel. 4 50 64 03 96  
Fax 4 50 64 03 49  
[erowa.france@erowa.com](mailto:erowa.france@erowa.com)  
[www.erowa.com](http://www.erowa.com)

### Spain

EROWA Technology Ibérica S.L.  
c/ Avda. Cornellá, 142 7ª 3ª ext.  
E-08950 Esplugues de Llobregat - Barcelona  
Spain  
Tel. 093 265 51 77  
Fax 093 244 03 14  
[erowa.iberica.info@erowa.com](mailto:erowa.iberica.info@erowa.com)  
[www.erowa.com](http://www.erowa.com)

### China

EROWA Technology (Shanghai) Co., Ltd.  
G/F, No. 24 Factory Building House  
69 Gui Qing Road (Caohejing Hi-tech Park)  
Shanghai 200233, PRC  
China  
Tel. 021 6485 5028  
Fax 021 6485 0119  
[info@erowa.cn](mailto:info@erowa.cn)  
[www.erowa.com](http://www.erowa.com)

### Germany

EROWA System Technologien GmbH  
Gewerbegebiet Schwadernmühle  
Roßendorfer Straße 1  
DE-90556 Cadolzburg/Nbg  
Germany  
Tel. 09103 7900-0  
Fax 09103 7900-10  
[info@erowa.de](mailto:info@erowa.de)  
[www.erowa.de](http://www.erowa.de)

### Scandinavia

EROWA Technology Scandinavia A/S  
Fasanvej 2  
DK-5863 Ferritslev Fyn  
Denmark  
Tel. 65 98 26 00  
Fax 65 98 26 06  
[info.scandinavia@erowa.com](mailto:info.scandinavia@erowa.com)  
[www.erowa.com](http://www.erowa.com)

### Eastern Europe

EROWA Technology Sp. z o.o.  
Eastern Europe  
ul. Spółdzielcza 37-39  
55-080 Kąty Wrocławskie  
Poland  
Tel. 71 363 5650  
Fax 71 363 4970  
[info@erowa.com.pl](mailto:info@erowa.com.pl)  
[www.erowa.com](http://www.erowa.com)

### India

EROWA Technology (India) Private Limited  
No: 6-3-1191/6, Brij Tarang Building  
Unit No-3F, 3rd Floor, Greenlands, Begumpet,  
Hyderabad 500016 (Telangana)  
India  
Tel. 040 4013 3639  
Fax 040 4013 3630  
[sales.india@erowa.com](mailto:sales.india@erowa.com)  
[www.erowa.com](http://www.erowa.com)